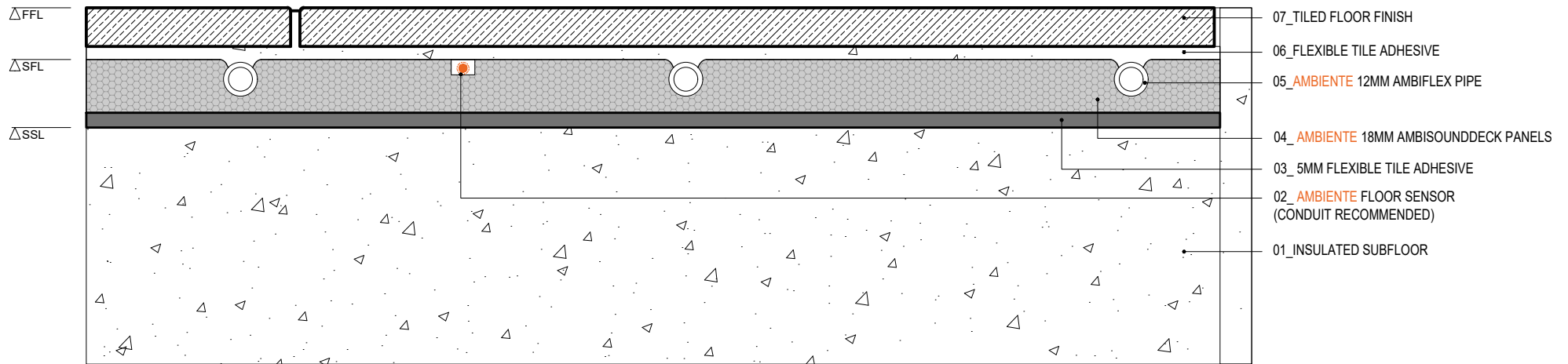


AMBIENTE AMBISOUNDDECK. Standard detail - Solid Subfloor

TITLE AMBISOUNDDECK- Standard detail - Solid Subfloor		CAD FILE 20250227-AMBISOUNDDECK - DET SECTIONS.DWG	
DRAWN VL	CHECKED GC	DATE 27.02.2025	SCALE N/A
<small>THIS FILE AND ITS CONTENT ARE THE PROPERTY OF AMBIENTE SYSTEMS LIMITED AND ARE PROTECTED BY COPYRIGHT LAWS. THIS FILE AND ITS CONTENTS MAY ONLY BE DISTRIBUTED, COPIED OR REPRODUCED IN FULL AND MAY NOT BE EDITED OR COPIED IN PART. DO NOT SCALE FROM THIS DRAWING.</small>			



AMBIENTE SYSTEMS LIMITED
 HERITAGE HOUSE, UNIT 1 WOODSIDE LANE, BELL BAR, HERTFORDSHIRE, AL9 6DE
 SALES@AMBIENTEUFH.CO.UK
 T.01707 649 118



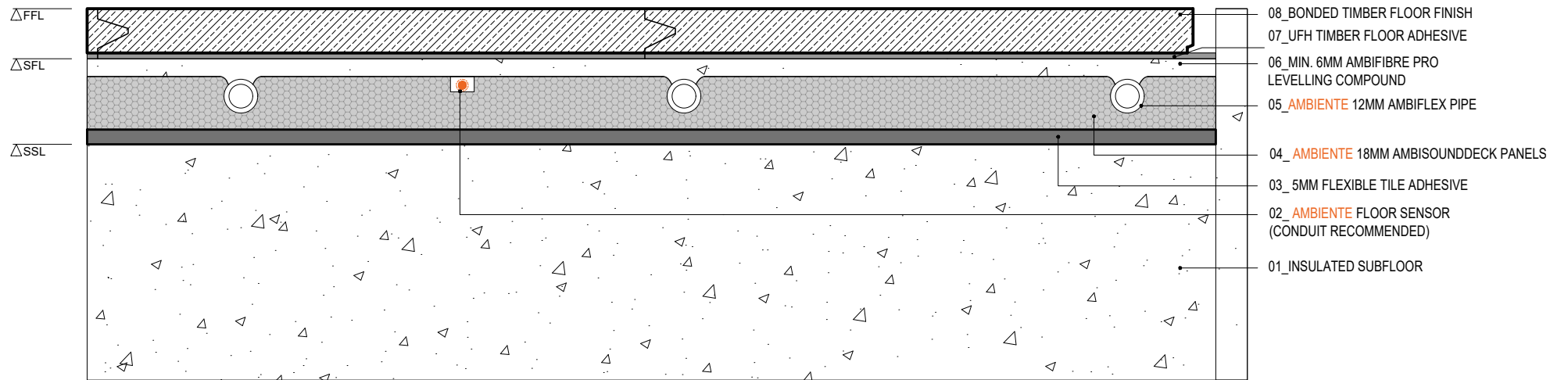
AMBIENTE AMBISOUNDDECK. Tiled Floor Finish - Solid Subfloor

TITLE AMBISOUNDDECK- Tiled Floor Finish - Solid Subfloor		CAD FILE 20250227-AMBISOUNDDECK-DET SECTIONS.DWG	
DRAWN VL	CHECKED GC	DATE 27.02.2025	SCALE N/A



AMBIENTE SYSTEMS LIMITED
 HERITAGE HOUSE, UNIT 1 WOODSIDE LANE, BELL BAR, HERTFORDSHIRE, AL9 6DE
 SALES@AMBIENTEUFH.CO.UK
 T.01707 649 118

THIS FILE AND ITS CONTENT ARE THE PROPERTY OF AMBIENTE SYSTEMS LIMITED AND ARE PROTECTED BY COPYRIGHT LAWS. THIS FILE AND ITS CONTENTS MAY ONLY BE DISTRIBUTED, COPIED OR REPRODUCED IN FULL AND MAY NOT BE EDITED OR COPIED IN PART. DO NOT SCALE FROM THIS DRAWING.



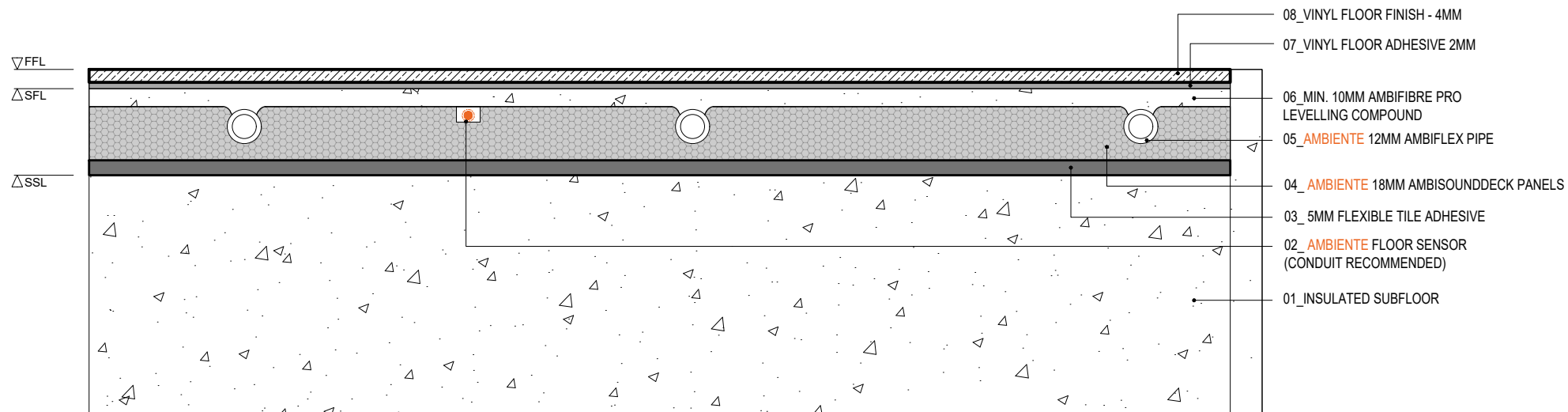
AMBIENTE AMBISOUNDDECK. Bonded Timber Floor Finish - Solid Subfloor

TITLE AMBISOUNDDECK- Bonded Timber Floor Finish - Solid Subfloor		CAD FILE 20250227-AMBISOUNDDECK-DET SECTIONS.DWG	
DRAWN VL	CHECKED GC	DATE 27.02.2025	SCALE N/A



AMBIENTE SYSTEMS LIMITED
 HERITAGE HOUSE, UNIT 1 WOODSIDE LANE, BELL BAR, HERTFORDSHIRE, AL9 6DE
 SALES@AMBIENTEUFH.CO.UK
 T.01707 649 118

THIS FILE AND ITS CONTENT ARE THE PROPERTY OF AMBIENTE SYSTEMS LIMITED AND ARE PROTECTED BY COPYRIGHT LAWS. THIS FILE AND ITS CONTENTS MAY ONLY BE DISTRIBUTED, COPIED OR REPRODUCED IN FULL AND MAY NOT BE EDITED OR COPIED IN PART. DO NOT SCALE FROM THIS DRAWING.



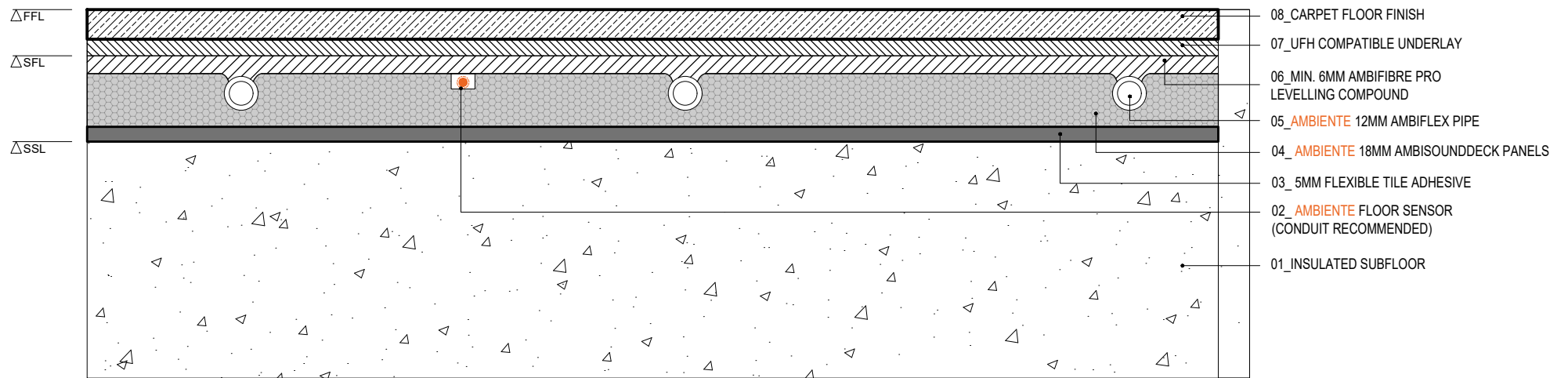
AMBIENTE AMBISOUNDDECK. Vinyl Floor Finish - Solid Subfloor

TITLE AMBISOUNDDECK - Vinyl Floor Finish - Solid Subfloor		CAD FILE 20250227-AMBISOUNDDECK-DET SECTIONS.DWG	
DRAWN VL	CHECKED GC	DATE 27.02.2025	SCALE N/A



AMBIENTE SYSTEMS LIMITED
 HERITAGE HOUSE, UNIT 1 WOODSIDE LANE, BELL BAR, HERTFORDSHIRE, AL9 6DE
 SALES@AMBIENTEUFH.CO.UK
 T.01707 649 118

THIS FILE AND ITS CONTENT ARE THE PROPERTY OF AMBIENTE SYSTEMS LIMITED AND ARE PROTECTED BY COPYRIGHT LAWS. THIS FILE AND ITS CONTENTS MAY ONLY BE DISTRIBUTED, COPIED OR REPRODUCED IN FULL AND MAY NOT BE EDITED OR COPIED IN PART. DO NOT SCALE FROM THIS DRAWING.



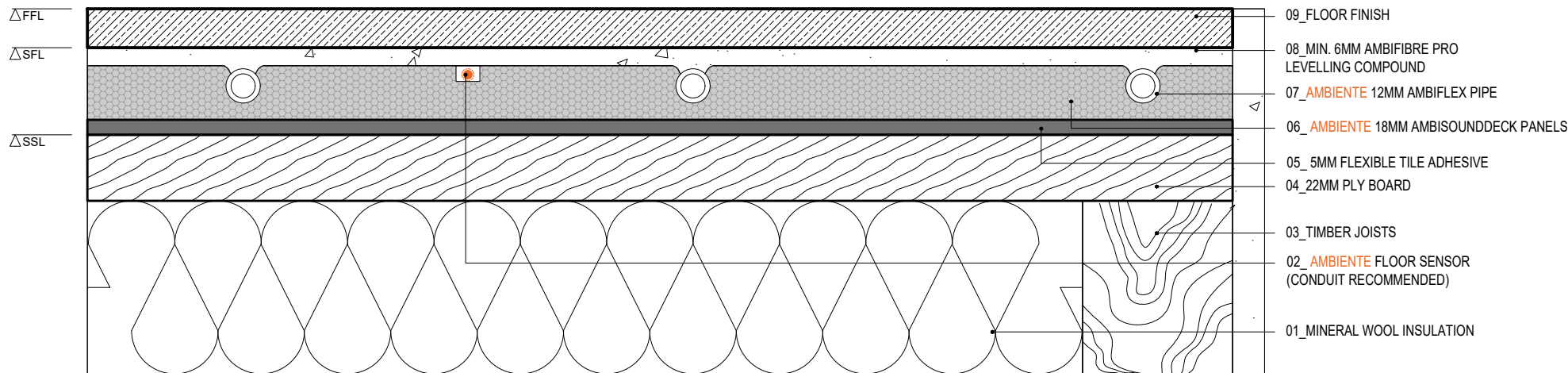
AMBIENTE AMBISOUNDDECK. Carpet Floor Finish - Solid Subfloor

TITLE AMBISOUNDDECK - Carpet Floor Finish - Solid Subfloor		CAD FILE 20250227-AMBISOUNDDECK-DET SECTIONS.DWG	
DRAWN VL	CHECKED GC	DATE 27.02.2025	SCALE N/A




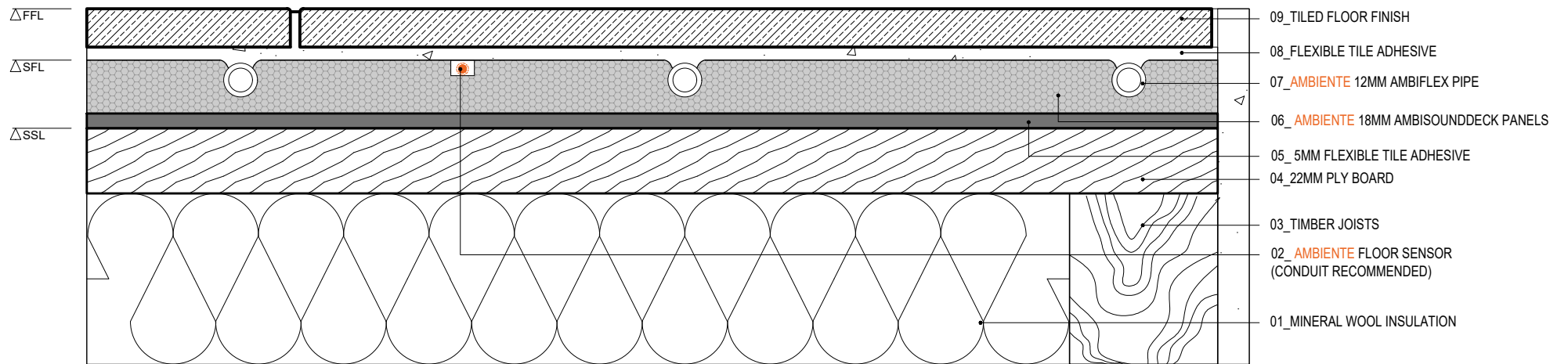
AMBIENTE SYSTEMS LIMITED
 HERITAGE HOUSE, UNIT 1 WOODSIDE LANE, BELL BAR, HERTFORDSHIRE, AL9 6DE
 SALES@AMBIENTEUFH.CO.UK
 T.01707 649 118

THIS FILE AND ITS CONTENT ARE THE PROPERTY OF AMBIENTE SYSTEMS LIMITED AND ARE PROTECTED BY COPYRIGHT LAWS. THIS FILE AND ITS CONTENTS MAY ONLY BE DISTRIBUTED, COPIED OR REPRODUCED IN FULL AND MAY NOT BE EDITED OR COPIED IN PART. DO NOT SCALE FROM THIS DRAWING.



AMBIENTE AMBISOUNDDECK. Standard detail - Timber Subfloor

TITLE AMBISOUNDDECK - Standard detail - Timber Subfloor		CAD FILE 20250227-AMBISOUNDDECK-DET SECTIONS.DWG		 more than underfloor AMBIENTE SYSTEMS LIMITED HERITAGE HOUSE, UNIT 1 WOODSIDE LANE, BELL BAR, HERTFORDSHIRE, AL9 6DE SALES@AMBIENTEUFH.CO.UK T.01707 649 118
DRAWN VL	CHECKED GC	DATE 27.02.2025	SCALE N/A	
<small>THIS FILE AND ITS CONTENT ARE THE PROPERTY OF AMBIENTE SYSTEMS LIMITED AND ARE PROTECTED BY COPYRIGHT LAWS. THIS FILE AND ITS CONTENTS MAY ONLY BE DISTRIBUTED, COPIED OR REPRODUCED IN FULL AND MAY NOT BE EDITED OR COPIED IN PART. DO NOT SCALE FROM THIS DRAWING.</small>				



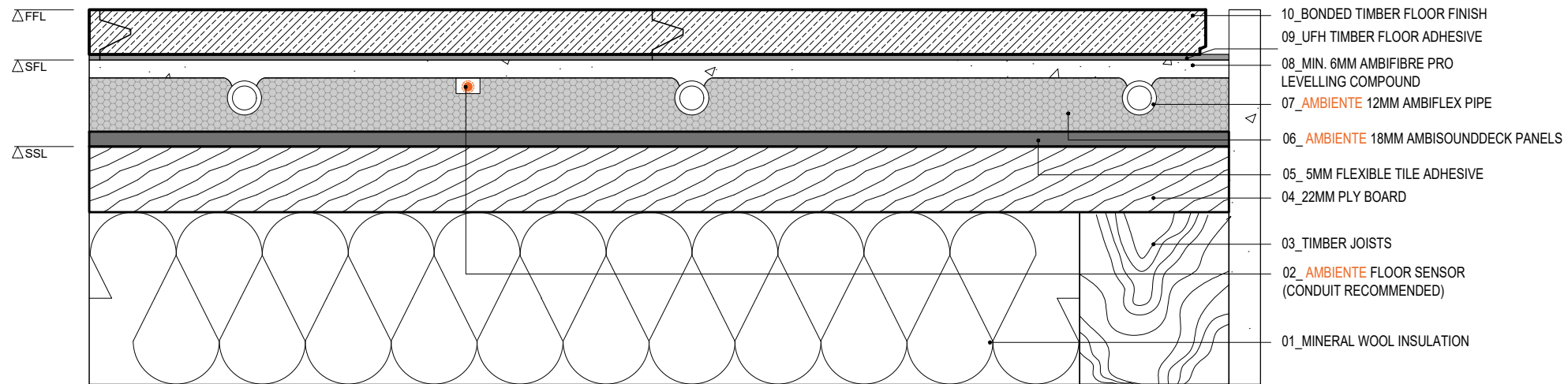
AMBIENTE AMBISOUNDDECK. Tiled Floor Finish - Timber Subfloor

TITLE AMBISOUNDDECK- Tile Floor Finish - Timber Subfloor		CAD FILE 20250227-AMBISOUNDDECK-DET SECTIONS.DWG	
DRAWN VL	CHECKED GC	DATE 27.02.2025	SCALE N/A




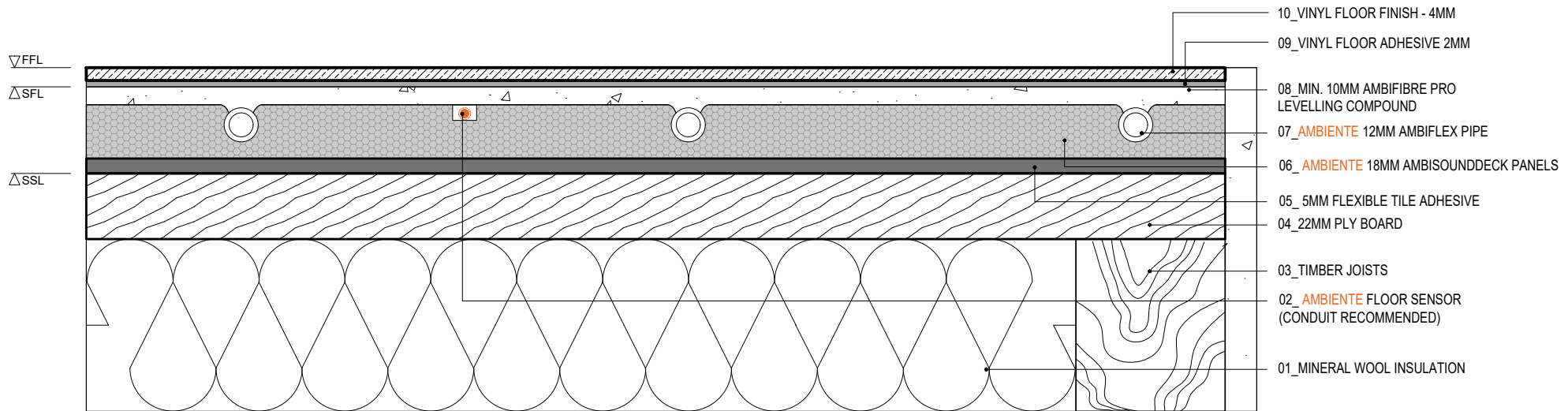
AMBIENTE SYSTEMS LIMITED
 HERITAGE HOUSE, UNIT 1 WOODSIDE LANE, BELL BAR, HERTFORDSHIRE, AL9 6DE
 SALES@AMBIENTEUFH.CO.UK
 T.01707 649 118

THIS FILE AND ITS CONTENT ARE THE PROPERTY OF AMBIENTE SYSTEMS LIMITED AND ARE PROTECTED BY COPYRIGHT LAWS. THIS FILE AND ITS CONTENTS MAY ONLY BE DISTRIBUTED, COPIED OR REPRODUCED IN FULL AND MAY NOT BE EDITED OR COPIED IN PART. DO NOT SCALE FROM THIS DRAWING.



AMBIENTE AMBISOUNDDECK. Bonded Timber Floor Finish - Timber Subfloor

TITLE AMBISOUNDDECK - Bonded Timber Floor Finish - Timber Subfloor		CAD FILE 20250227-AMBISOUNDDECK-DET SECTIONS.DWG		 ambiente more than underfloor <small> AMBIENTE SYSTEMS LIMITED HERITAGE HOUSE, UNIT 1 WOODSIDE LANE, BELL BAR, HERTFORDSHIRE, AL9 6DE SALES@AMBIENTEUFH.CO.UK T.01707 649 118 </small>
DRAWN VL	CHECKED GC	DATE 27.02.2025	SCALE N/A	
<small>THIS FILE AND ITS CONTENT ARE THE PROPERTY OF AMBIENTE SYSTEMS LIMITED AND ARE PROTECTED BY COPYRIGHT LAWS. THIS FILE AND ITS CONTENTS MAY ONLY BE DISTRIBUTED, COPIED OR REPRODUCED IN FULL AND MAY NOT BE EDITED OR COPIED IN PART. DO NOT SCALE FROM THIS DRAWING.</small>				



AMBIENTE AMBISOUNDDECK. Vinyl Floor Finish - Timber Subfloor

TITLE
AMBISOUNDDECK - Vinyl Floor Finish - Timber Subfloor

CAD FILE
20250227-AMBISOUNDDECK-DET SECTIONS.DWG

DRAWN
VL

CHECKED
GC

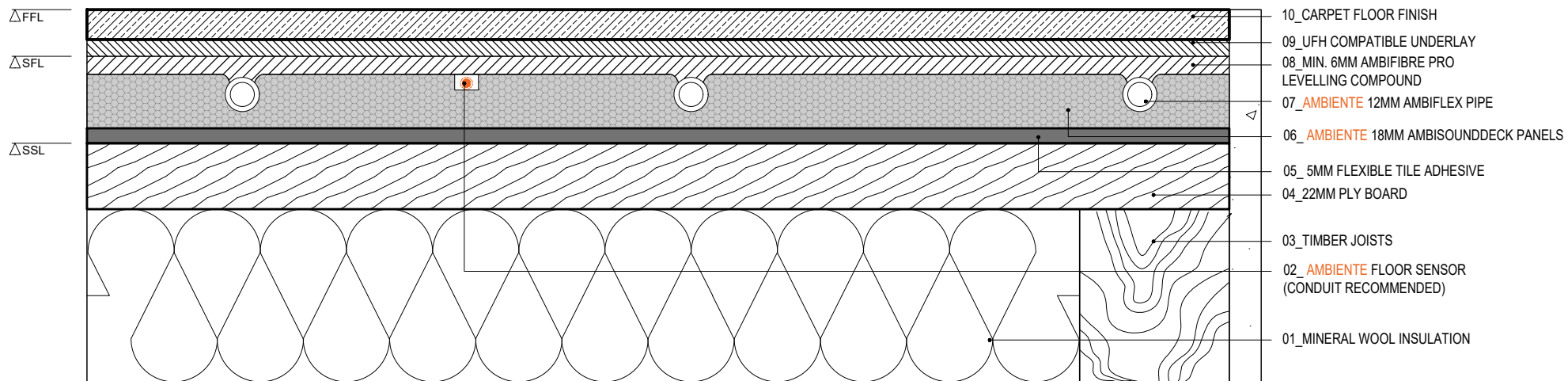
DATE
27.02.2025

SCALE
N/A



AMBIENTE SYSTEMS LIMITED
 HERITAGE HOUSE, UNIT 1 WOODSIDE LANE, BELL BAR, HERTFORDSHIRE, AL9 6DE
 SALES@AMBIENTEUFH.CO.UK
 T.01707 649 118

THIS FILE AND ITS CONTENT ARE THE PROPERTY OF AMBIENTE SYSTEMS LIMITED AND ARE PROTECTED BY COPYRIGHT LAWS. THIS FILE AND ITS CONTENTS MAY ONLY BE DISTRIBUTED, COPIED OR REPRODUCED IN FULL AND MAY NOT BE EDITED OR COPIED IN PART. DO NOT SCALE FROM THIS DRAWING.



AMBIENTE AMBISOUNDDECK. Carpet Floor Finish - Timber Subfloor

TITLE AMBISOUNDDECK - Carpet Floor Finish- Timber Subfloor		CAD FILE 20250227-AMBISOUNDDECK-DET SECTIONS.DWG	
DRAWN VL	CHECKED GC	DATE 27.02.2025	SCALE N/A



AMBIENTE SYSTEMS LIMITED
 HERITAGE HOUSE, UNIT 1 WOODSIDE LANE, BELL BAR, HERTFORDSHIRE, AL9 6DE
 SALES@AMBIENTEUFH.CO.UK
 T.01707 649 118

THIS FILE AND ITS CONTENT ARE THE PROPERTY OF AMBIENTE SYSTEMS LIMITED AND ARE PROTECTED BY COPYRIGHT LAWS. THIS FILE AND ITS CONTENTS MAY ONLY BE DISTRIBUTED, COPIED OR REPRODUCED IN FULL AND MAY NOT BE EDITED OR COPIED IN PART. DO NOT SCALE FROM THIS DRAWING.