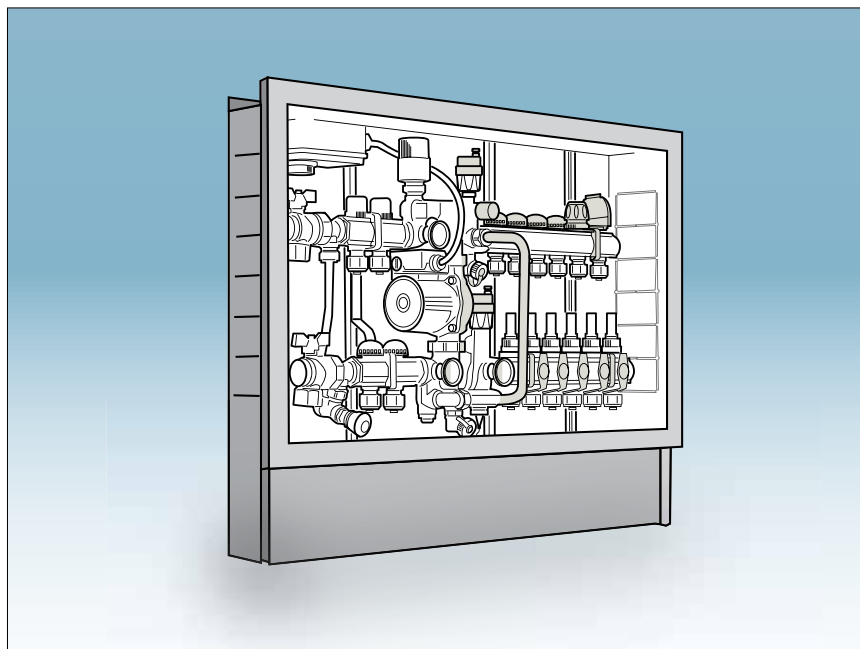


MANIFOLD CABINETS

ambiente®

more than underfloor

Manifold cabinet showing manifold unit



On-wall manifold cabinet



In-wall manifold cabinet



PRODUCT OVERVIEW

Ambiente manifold cabinets are supplied in a white enamel finish, giving a neat professional look and requiring no further decoration.

Designed specifically to house our manifolds, they are equipped with the necessary fixing points and also have flow/return pipework entries that can be configured on-site to suit specific requirements.

The door section has a telescopic action to allow for variations in wall thickness and any plaster or rendering applied to the wall. The in-wall cabinet caters for a typical dry-lined partition wall, allowing a neat and flush finish.

The new Ambiente CircoMax pump/blender unit is one of the slimmest units of its kind on the market, and will fit within all of our manifold cabinet range.

MANIFOLD CABINET SIZES

On-wall manifold cabinet: 120mm Brick thickness suitable for 1 1/4" manifold. Quarter turn latch opening.

Width (mm)	Height (mm)	Depth (mm)	Manifold ports (including pumpset)
560	650	130 (Door opens to XXXmm)	Up to 5 port with CircoMax pumpset
760	650	130 (Door opens to XXXmm)	Up to 9 port with CircoMax pumpset
910	650	130 (Door opens to XXXmm)	Up to 10 port with CircoMax pumpset
1060	650	130 (Door opens to XXXmm)	Up to 12 port with CircoMax pumpset

In-wall manifold cabinet: 120mm Brick thickness suitable for 1 1/4" manifold. Quarter turn latch opening.

Width (mm)	Height (mm)	Depth (mm)	Manifold ports (including pumpset)
540	630	90 (Door opens to XXXmm)	Up to 4 port with CircoMax pumpset
740	630	90 (Door opens to XXXmm)	Up to 8 port with CircoMax pumpset
890	630	90 (Door opens to XXXmm)	Up to 10 port with CircoMax pumpset
1040	630	90 (Door opens to XXXmm)	Up to 12 port with CircoMax pumpset

Key latch, optional extra on all models. All manifolds are supplied complete with cover protection during installation.

10004A|0415-013